

Compact 218 Sub2000 Compact series



INTRODUCTION

The D.A.S. Compact 218 Sub is a high-performance self-powered vented subwoofer system.

APPLICATIONS

The system is intended as subwoofer reinforcement for the Compact 2 system, or may be used as subwoofer complement for other passive or powered mid-high systems.

DESCRIPTION

The system incorporates two 1000 W class D switching amplifier modules, each powering a single low-frequency transducer. Each module is independent and features its own set of connections.

The unit utilizes two high efficiency 18" low frequency speaker with 4" voice coil and a lightweight Neodymium based magnet structure. Pole piece, side slot and direct convection cooling provide high power handling and low power compression.

The rectangular enclosure is manufactured from Wisa® Birch plywood and is finished with a durable catalyzed polyurethane paint.

The unit has a fabric covered steel grille to protect the loudspeaker components. The covering is resistant to wear and tear, provides protection from dust and dirt, and is both acoustically transparent and flame retardant.

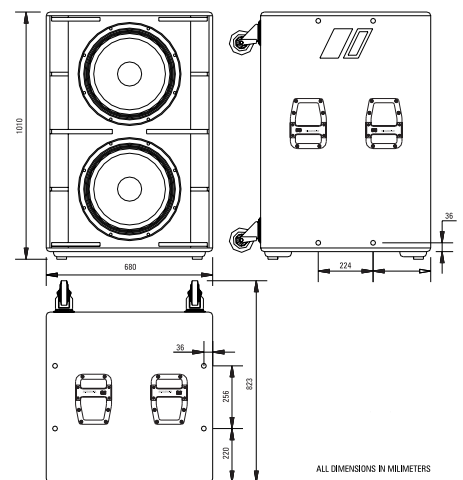
16 integrated rigging points that accept 10M steel eyebolts are provided. The ANL-2, an optional set of four forged steel eyebolts and carabiners, is available. Four wheels are also built-in to facilitate transport.

FEATURES

- » Self-powered direct radiator sub-woofer system
- » 2x1000 W independent power amplifier modules
- » 2x18" Neodymium magnet cone speakers
- » Built-in covers with high-pass output

SPECIFICATIONS

Nominal Power Amplifier:	2x1000 W _{RMS}
Input Type:	Balanced Differential Line
Input Impedance:	Line: 25 kΩ
Sensitivity:	Line: 0.88 V (+1.1 dBu)
On-axis Acoustical Frequency Range^F:	40 Hz - 140 Hz
Rated Maximum Peak SPL at 1 meter:	143 dB
Nominal -6 dB Beamwidths^B:	360° Horizontal
(100 Hz octave)	360° Vertical
Enclosure Material:	Wisa® Birch Plywood
Finish:	Black Catalyzed Polyurethane Paint
Transducers:	LF: 18 GN
Connectors (x2):	INPUT: Female XLR
	LOOP THRU: Male XLR
	SATELLITE OUTPUT: Male XLR
	AC INPUT: PowerCon NAC 3
AC Power Requirements:	115 V, 50 Hz/60 Hz
	230 V, 50 Hz/60 Hz
Dimensions (H x W x D):	101 x 68 x 82.5 cm
	(40 x 27 x 32.5 in)
Weight:	93 kg
	(205 lbs)
Shipping Weight:	99 kg
	(218 lbs)
Accessories (optional):	ANL-2, 4-piece M10 eyebolt/carabiner set



TE/C218sub2000-00
03/2004

^F As per IEC 268-5 (1989, -10 dB). Half space anechoic.
^B Average of one-third octave band measures.
One and one-third octave bands comply to ANSI S1.11-1986.